

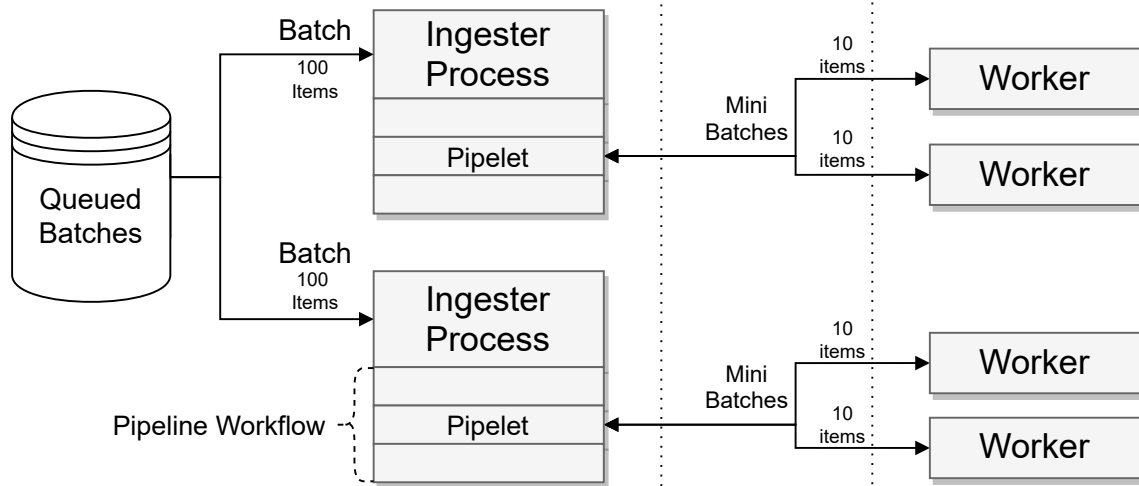
```
[ingester]
processors = 2
```

```
[pipeline]
step_plumber_mini_batch_threads = 2
```

```
[server]
fork = true
max_spare = 4
```

Ingester

Pipeline Workflow Execution



Plumber

Pipelet Runner